

REVISIONS			
REV	DESCRIPTION	DATE	APPROVED
--	--	--	--

UG-383

4X ϕ .0890 THRU ALL
4-40 UNC THRU ALL

2X ϕ .0595 THRU ALL

2X ϕ .1562 THRU ALL
 \surd ϕ .3170 X 82°

2X ϕ .0670 THRU ALL

ϕ .9375

2.3000

ϕ .5000

.0320

.0930

.2500

.3750

.8500 .8500

.5625 .5625

.2000 X 45.00°

.0560

.1120

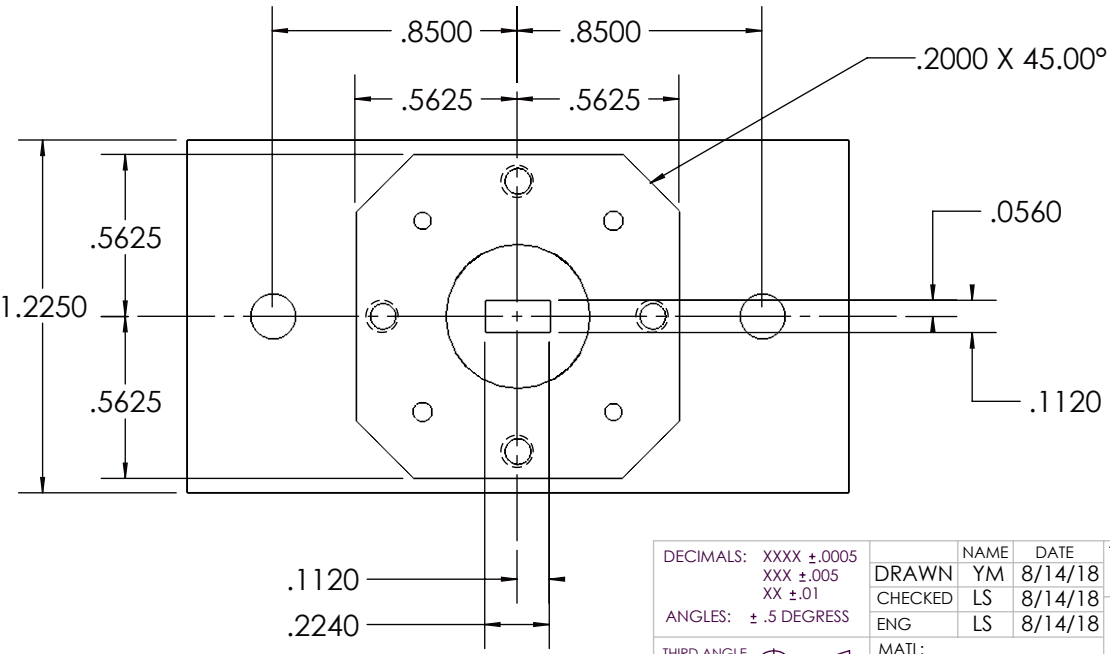
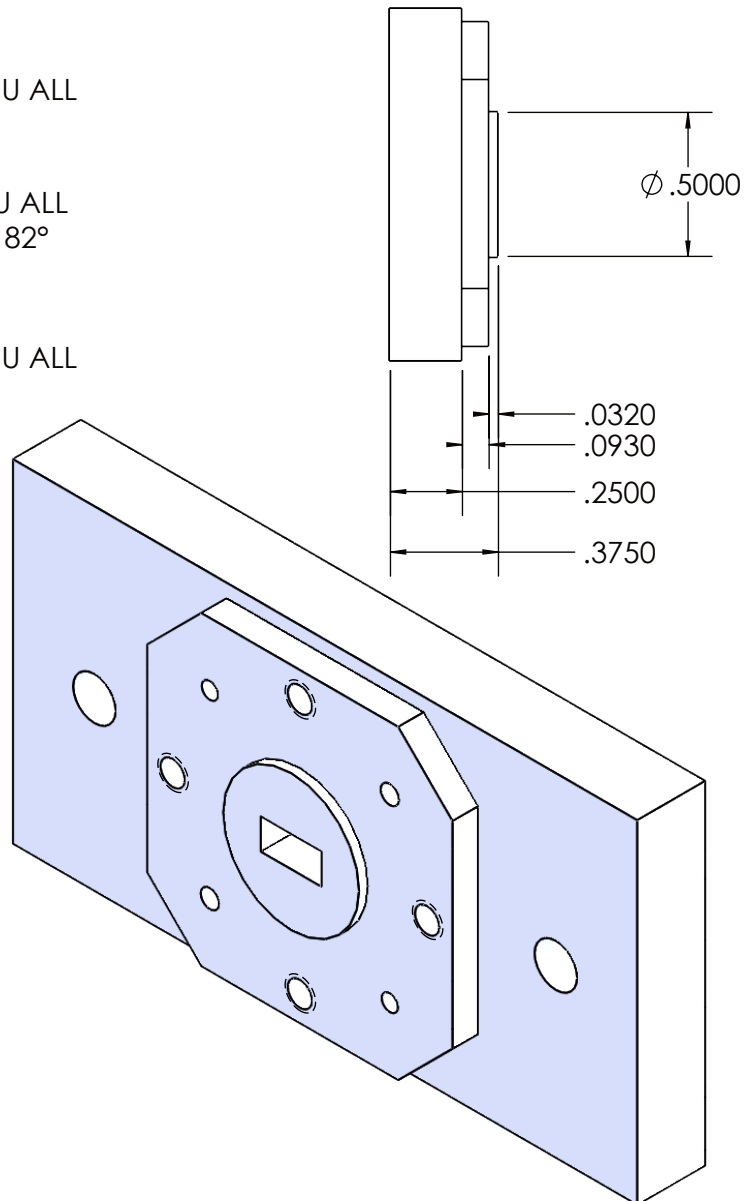
.5625

1.2250

.5625

.1120

.2240



DECIMALS: XXXX ±.0005 XXX ±.005 XX ±.01	NAME	DATE	TITLE:	
ANGLES: ± .5 DEGREE	DRAWN	YM	8/14/18	Mi-Wave Millimeter Products Inc.
THIRD ANGLE PROJECTION	CHECKED	LS	8/14/18	
	ENG	LS	8/14/18	
	MATL:	6061 T6 ALUMINUM		

SIZE	DWG. NO.	REV
A	714_BULKHEAD FLANGE_383 WR-22_ADAPTER	-
SCALE: 2:1	WEIGHT:	SHEET 1 OF 1